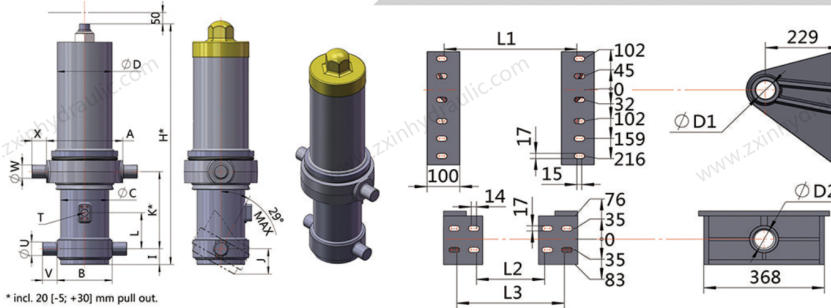




FC series

Front end cylinder with outer cover



* incl. 20 [-5; +30] mm pull out.

Please note that

- Cylinder is a lifting device only and not a structural member.
- Cylinder should not work at overload , side load conditions.
- The working pressure is up to actual service condition, don't over the Max pressure.

dimensions	L1#	L2#	L3#	D1	D2
FC 129	410 out	141 in	261 in	60	60
FC 149	410 out	141 in	261 in	60	60
FC 169	410 out	211 out	331 out	60	60
FC 191	410 in	211 out	331 out	60	60
FC 214	410 in	211 in	331 in	60	65

out=outer position of outer position of slotted hole in=inner position of outer position of slotted hole

M O D E L	P R E S S U R E (bar)	M A X . T H R U S T (kN)	A	B	C	D	H	I	J	K	L	T	U	V	W	X
FC 129-3-3460	190	248.2	340	201	151	219	1484	60	91	343	160	G1	60	65	60	65
FC 129-3-3880	190	248.2	340	201	151	219	1644	60	91	343	160	G1	60	65	60	65
FC 129-3-4270	190	248.2	340	201	151	219	1744	60	91	343	160	G1	60	65	60	65
FC 129-4-4280	190	248.2	340	201	151	219	1339	60	91	343	160	G1	60	65	60	65
FC 129-4-4620	190	248.2	340	201	151	219	1484	60	91	343	160	G1	60	65	60	65
FC 129-4-5180	190	248.2	340	201	151	219	1644	60	91	343	160	G1	60	65	60	65
FC 149-3-3880	190	331.2	340	201	171	245	1644	60	96	343	160	G1	60	65	60	65
FC 149-3-4270	190	331.2	340	201	171	245	1774	60	96	343	160	G1	60	65	60	65
FC 149-4-4280	190	331.2	340	201	171	245	1399	60	96	343	160	G1	60	65	60	65
FC 149-4-4620	190	331.2	340	201	171	245	1484	60	96	343	160	G1	60	65	60	65
FC 149-4-4940	190	331.2	340	201	171	245	1564	60	96	343	160	G1	60	65	60	65
FC 149-4-5180	190	331.2	340	201	171	245	1644	60	96	343	160	G1	60	65	60	65
FC 149-4-5460	190	331.2	340	201	171	245	1714	60	96	343	160	G1	60	65	60	65
FC 169-4-4280	190	426	340	245	192	245	1394	65	106	343	160	G1	60	65	60	65
FC 169-4-4620	190	426	340	245	192	245	1479	65	106	343	160	G1	60	65	60	65
FC 169-4-4940	190	426	340	245	192	245	1559	65	106	343	160	G1	60	65	60	65
FC 169-4-5180	190	426	340	245	192	245	1639	65	106	343	160	G1	60	65	60	65
FC 169-4-5460	190	426	340	245	192	245	1709	65	106	343	160	G1	60	65	60	65
FC 169-5-5355	190	426	340	245	192	245	1394	65	106	343	160	G1	60	65	60	65
FC 169-5-5780	190	426	340	245	192	245	1479	65	106	343	160	G1	60	65	60	65
FC 169-5-6180	190	426	340	245	192	245	1559	65	106	343	160	G1	60	65	60	65
FC 169-5-6830	190	426	340	245	192	245	1709	65	106	343	160	G1	60	65	60	65
FC 169-5-7130	190	426	340	245	192	245	1769	65	106	343	160	G1	60	65	60	65
FC 169-5-7630	170	381.2	340	245	192	245	1892	65	106	343	160	G1	60	65	60	65
FC 169-5-8130	170	381.2	340	245	192	245	1999	65	106	343	160	G1	60	65	60	65
FC 169-5-9030	150	336.3	340	245	192	245	2209	65	106	343	160	G1	60	65	60	65
FC 169-5-9530	135	302.7	340	245	192	245	2309	65	106	343	160	G1	60	65	60	65
FC 191-4-5460	190	544.1	360	245	215	273	1712	70	116	343	160	G1	60	65	60	65
FC 191-5-5780	190	544.1	360	245	215	273	1482	70	116	343	160	G1	60	65	60	65
FC 191-5-6180	190	544.1	360	245	215	273	1562	70	116	343	160	G1	60	65	60	65
FC 191-5-7130	190	544.1	360	245	215	273	1772	70	116	343	160	G1	60	65	60	65
FC 191-5-7630	190	544.1	360	245	215	273	1902	70	116	343	160	G1	60	65	60	65
FC 191-5-8130	190	544.1	360	245	215	273	2002	70	116	343	160	G1	60	65	60	65
FC 191-5-9030	170	486.8	360	245	215	273	2212	70	116	343	160	G1	60	65	60	65
FC 191-5-9530	150	430	360	245	215	273	2312	70	116	343	160	G1	60	65	60	65
FC 214-5-9030	170	611.1	360	270	242	273	2197	85	135	343	160	G1	65	65	60	65
FC 214-5-9530	150	539.2	360	270	242	273	2297	85	135	343	160	G1	65	65	60	65
FC 214-5-12200	150	539.2	360	270	242	273	2967	85	135	343	160	G1	65	65	60	65