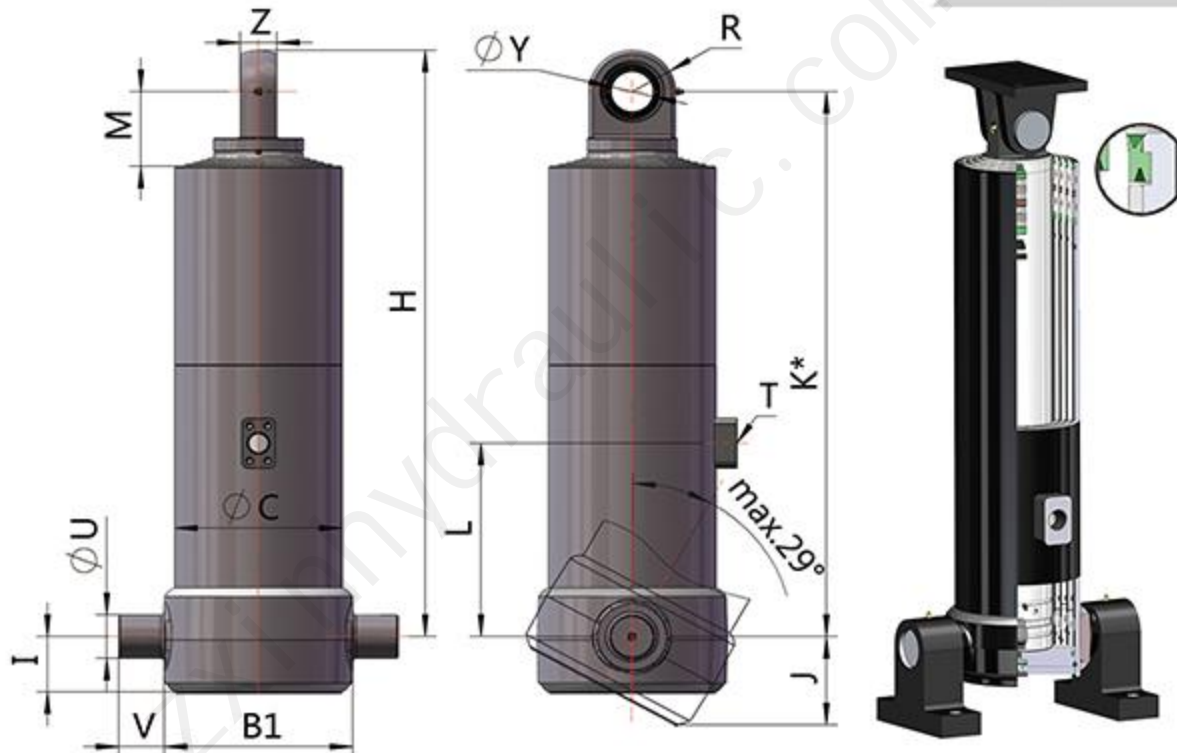




# FE series

## Front end cylinder with single eye



\* incl. 20 [-5; +30] mm pull out.

Please note that

- Cylinder is a lifting device only and not a structural member.
- Cylinder should not work at overload , side load conditions.
- The working pressure is up to actual service condition, don' t over the Max pressure.

MODEL	PRESSURE (bar)	Max. thrust (KN)	B1	C	I	J	K	M	R	L	T	U	V	Y	Z
FE 110-3-3205	190	180.5	163	129	60	91	1449	100	52	160	G1	60	65	50	42
FE 110-3-3460	190	180.5	163	129	60	91	1609	100	52	160	G1	60	65	50	42
FE 129-3-3460	190	248.2	201	151	60	91	1449	100	52	160	G1	60	65	50	42
FE 129-3-3880	190	248.2	201	151	60	91	1609	100	52	160	G1	60	65	50	42
FE 149-3-2900	190	331.2	201	171	60	96	1320	135	52	160	G1	60	65	50	42
FE 149-3-3200	190	331.2	201	171	60	96	1420	135	52	160	G1	60	65	50	42
FE 149-3-3500	190	331.2	201	171	60	96	1520	135	52	160	G1	60	65	50	42
FE 149-3-3880	190	331.2	201	171	60	96	1644	135	52	160	G1	60	65	50	42
FE 149-3-4280	190	331.2	201	171	60	96	1777	135	52	160	G1	60	65	50	42
FE 149-4-4280	190	331.2	201	171	60	96	1450	160	52	160	G1	60	65	50	42
FE 149-4-4620	190	331.2	201	171	60	96	1484	135	52	160	G1	60	65	50	42
FE 149-4-4940	190	331.2	201	171	60	96	1529	100	52	160	G1	60	65	50	42
FE 169-4-4280	190	426	245	192	65	106	1394	135	52	160	G1	60	65	50	42
FE 169-4-4620	190	426	245	192	65	106	1479	135	52	160	G1	60	65	50	42
FE 169-4-4940	190	426	245	192	65	106	1529	100	52	160	G1	60	65	50	42
FE 169-4-5180	190	426	245	192	65	106	1604	100	52	160	G1	60	65	50	42
FE 169-5-5355	190	426	245	192	65	106	1394	100	52	160	G1	60	65	50	42
FE 169-5-5780	190	426	245	192	65	106	1459	100	52	160	G1	60	65	50	42
FE 169-5-6180	190	426	245	192	65	106	1497	100	52	160	G1	60	65	50	42
FE 169-5-6830	190	426	245	192	65	106	1674	100	52	160	G1	60	65	50	42
FE 169-5-7130	190	426	245	192	65	106	1734	100	52	160	G1	60	65	50	42
FE 169-5-7630	170	381.2	245	192	65	106	1834	100	52	160	G1	60	65	50	42
FE 169-5-8130	170	381.2	245	192	65	106	1934	100	52	160	G1	60	65	50	42
FE 191-5-6180	190	544.1	245	215	70	116	1527	100	52	160	G1	60	65	50	42
FE 191-5-7130	190	544.1	245	215	70	116	1717	100	52	160	G1	60	65	50	42
FE 191-5-7630	190	544.1	245	215	70	116	1817	100	52	160	G1	60	65	50	42
FE 191-5-9030	150	429.6	245	215	70	116	2177	100	52	160	G1	60	65	50	42
FE 214-5-7130	190	683	270	242	85	135	1722	100	62	160	G1	65	65	60	52
FE 214-5-7630	170	611.1	270	242	85	135	1857	100	62	160	G1	65	65	60	52