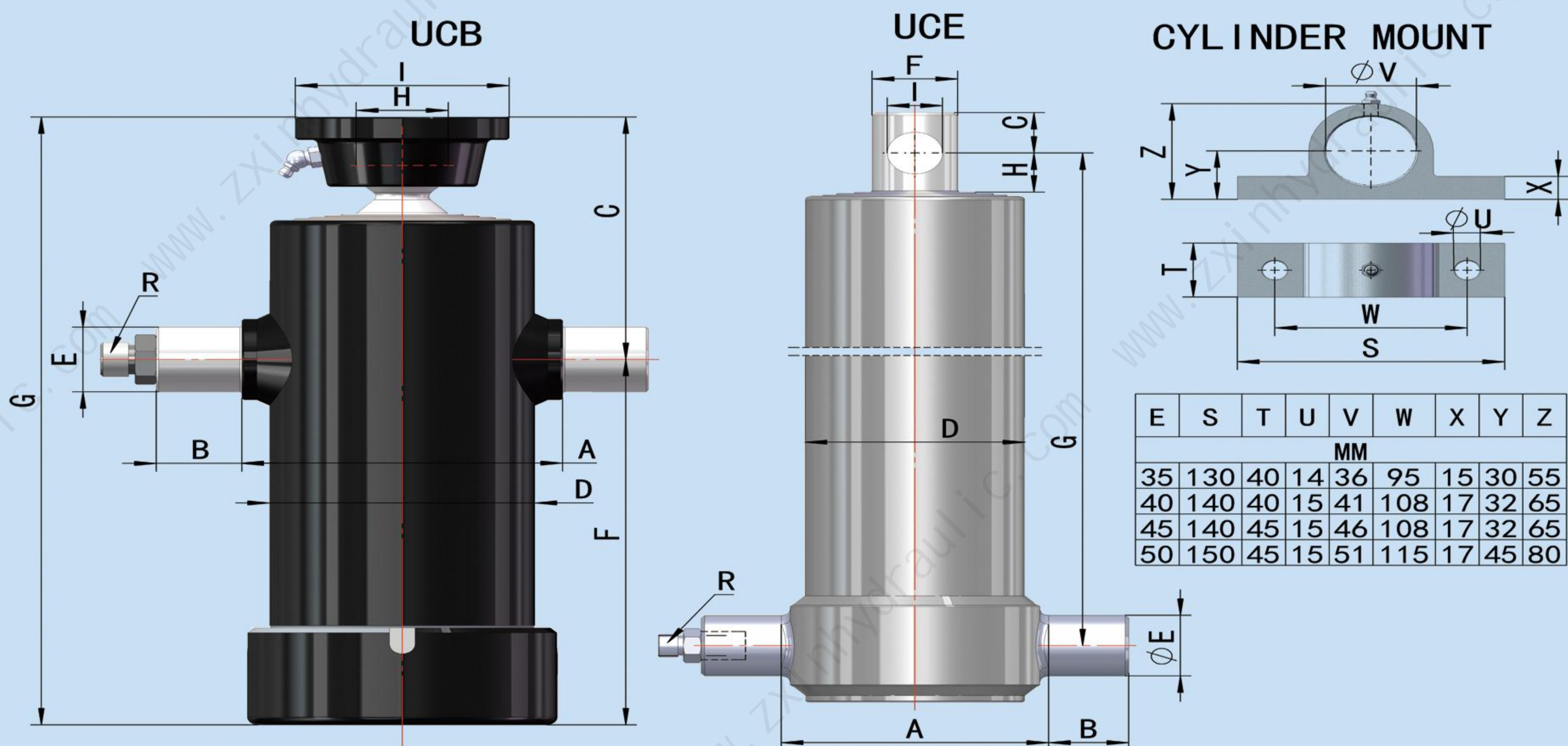




UNDERBODY TIPPING CYLINDER

Model	Stroke	Stages	CAP (T)	DIMENSIONS of cylinders in mm.									
				A	B	C	D	E	F	G	H	I	R
UCB 75-3-630	630	3	3	115	40	140	95	35	234	374	43	100	1/2"
UCB 90-4-840	840	4	4	135	40	140	112	35	235	375	43	100	1/2"
UCB 105-4-1310	1310	4	9	150	40	157	124	40	351	508	55	115	1/2"
UCB 105-4-1510	1510	4	9	150	40	157	124	40	401	558	55	115	1/2"
UCB 105-4-1710	1710	4	9	150	40	157	124	40	451	608	55	115	1/2"
UCB 105-4-1990	1990	4	9	150	40	157	124	40	521	678	55	115	1/2"
UCB 105-5-1040	1040	5	8	150	40	150	124	40	228	378	43	100	1/2"
UCB 105-5-1250	1250	5	8	150	40	150	124	40	267	417	43	100	1/2"
UCB 105-5-1500	1500	5	8	150	40	150	124	40	318	468	43	100	1/2"
UCB 125-5-1020	1020	5	11	175	45	165	152	45	222	387	55	115	1/2"
UCB 125-5-1230	1245	5	11	175	45	165	152	45	264	429	55	115	1/2"
UCB 125-5-1480	1480	5	11	175	45	165	152	45	315	480	55	115	1/2"
UCB 125-5-1630	1630	5	11	175	45	165	152	45	344	509	55	115	1/2"
UCB 125-5-1880	1880	5	11	175	45	165	152	45	395	560	55	115	1/2"
UCB 125-5-2130	2130	5	11	175	45	165	152	45	445	610	55	115	1/2"
UCB 125-5-2480	2480	5	11	175	45	165	152	45	515	680	55	115	1/2"
UCB 125-6-1480	1480	6	10	175	45	155	152	45	265	420	43	100	1/2"
UCB 125-6-1780	1780	6	10	175	45	155	152	45	315	470	43	100	1/2"
UCB 125-6-1960	1960	6	10	175	45	155	152	45	345	500	43	100	1/2"
UCB 125-6-2980	2980	6	10	175	45	155	152	45	515	670	43	100	1/2"
UCB 145-5-1585	1580	5	15	200	45	200	170	50	316	516	55	115	3/4"
UCB 145-5-2085	2080	5	15	200	45	200	170	50	416	616	55	115	3/4"
UCB 145-6-1920	1920	6	13	200	45	210	170	50	307	517	55	115	3/4"
UCB 145-6-2940	2940	6	13	200	45	210	170	50	477	687	55	115	3/4"
UCB 165-5-1500	1500	5	20	230	45	240	190	50	279	519	55	115	3/4"
UCB 165-5-1750	1750	5	20	230	45	240	190	50	329	569	55	115	3/4"
UCB 165-5-2000	2000	5	20	230	45	240	190	50	379	619	55	115	3/4"
UCB 165-5-2350	2350	5	20	230	45	240	190	50	449	689	55	115	3/4"
UCB 165-6-2130	2130	6	18	230	45	240	190	50	330	570	55	115	3/4"
UCB 165-6-2850	2850	6	18	230	45	240	190	50	450	690	55	115	3/4"
UCE 105-4-1310	1310	4	9.8	150	45	30	124	45	57	450	32	31	1/2"
UCE 105-4-1510	1510	4	9.8	150	45	30	124	45	57	500	32	31	1/2"
UCE 105-4-1710	1710	4	9.8	150	45	30	124	45	57	550	32	31	1/2"
UCE 105-4-1990	1990	4	9.8	150	45	30	124	45	57	620	32	31	1/2"



Please note that
 ●Cylinder is a lifting device only and not a structural member.●Cylinder should not work at overload , side load conditions.●The working pressure is up to actual service condition,don' t over the Max pressure.